

NEO | Floor mount S-Trap 220mm One piece WC Suite
#OPW7002W



Feel the Power of Neolex's 60 ft Drain line Flush
50% longer drain line carry

Experience powerful performance with Neolex's Syphonic Flushing System, engineered to push waste efficiently and prevent clogs. Its advanced design ensures maximum drainline carry with superior water efficiency and reliability in every flush.

ASME Standard **40 ft**

Our Result **60ft**

Specification

Floor Mount One-piece Dual Flush WC suit (#OPW7002W)

Model Name	NEO
Specification	Washdown
Finish	Glossy
Outlet	Horizontal
Dimensions	670 (h) X 360 (w) X 800(d) mm
Rough-in (Wall Distance)	220mm/ 9"
Weight	50.00 Kg
Lever/ Lever Position	Push Button/ Cistern lid
Colour	White
Material	Ceramic - Vitreous China

Seat Specification

Standard, Soft Close, Seat + Cover (#AT)

Finish	White
Dimensions	370(h) X 355(w) X 135(d) mm
Weight	1.4 Kgs
Antibacterial Protection	Yes
Seat Type	Standard
Max Load Test	150 Kg
Seat Material	PP

Technical/ Use Phase Specifications

Flush Volume (gal/ half flush)	1.05
User Frequency (flushes/day/person)	3
Min. Water Pressure	8 psi (Static)
Annual Cleaning Frequency (times)	365
Cleaner	50 ml of 10% HCl solution
Syphon	3D Reverse
Waste Hole Dimension	Ø100 +5/-2 mm
Waste Hole Horizontal distance	≤ 220 mm

Base Material Content of the Product

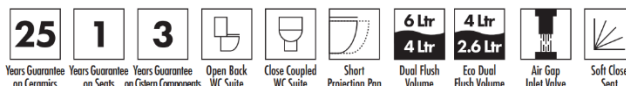
Material	Function	Quantit (% By Weight)
Clay	Slip and Glaze Ingredient	59 %
Feldspar	Slip and Glaze Ingredient	29%
Silica	Slip and Glaze Ingredient	7 %
Balance	Miscellaneous Hardware and Packaging	5 %

FAQ's

Please see next page

Key Features + Benefits

Change



* All technical dimensions are in accordance to British standards, Bureau of Indian Standards

Technical Data Sheet | Sanitaryware

Issue No. **V1** | 01 | 2025

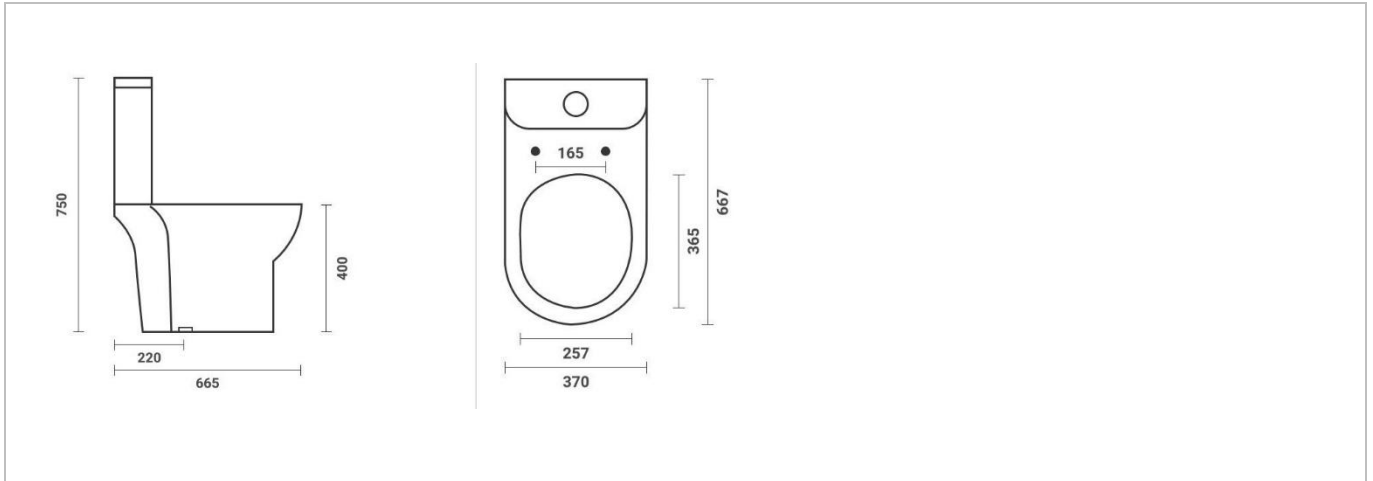
NEO_7002_TDS_V1.1



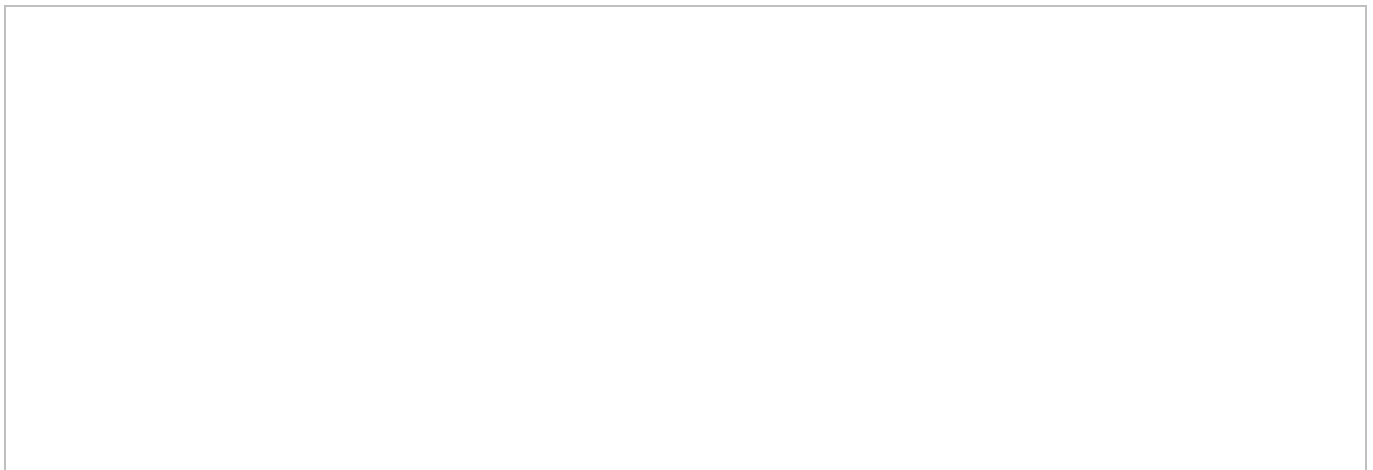
NEO | Floor mount S-Trap 220mm One piece WC Suite

#OPW7002W

TECHNICAL DRAWING | Pan (INSDE001) + Cistern (INSDE002)



Seat Cover (#AT)



NEOLEX SANITARYWARE

Behind Scotlane sanitarywares, unchi mandal, Halwad Road, Gujarat-India-363641. Technical Support – Tel: +91 90331 38101 Email: info@neolexsanitaryware.com

All information on the data sheet is correct at the time of publication. All measurements are approximate and subject to standard tolerances.

Technical Data Sheet | Sanitaryware

Issue No. **V1** | **01** | **2025**

NEO_7002_TDS_V1.1



NEO | Floor mount S-Trap 220mm One piece WC Suite

#OPW7002W

PERFORMANCE TEST DATA [ASME 2018 SPECIFICATION]

TRAIL No.	TRAP SEAL RESTORATION		WASTE EXTRACTION TEST		GRANULES & BALL TEST			SURFACE WASH TEST		
	BEFORE	AFTER	MEDIA	PAPER	NUMBER OF GRANULES IN BOWL AFTER FLUSING	NUMBER OF BALLS IN BOWL AFTER FLUSHING	TRAP SEAL RESTORED? (YES/NO)	NO OF INL LINE SEGMENTS REMAINING	LENGTH OF EACH SEGMENTS (MM)	COMBINED LENGTH
T1	54	53	0	0	3	0	Yes	0	0	0
T2	53	52	0	0	5	0	Yes	0	0	0
T3	53	51	0	0	5	0	Yes	0	0	0
AVG	53.33	52.00	0.00	0.00	4.00	0.00		0.00	0.00	0.00
Result	PASS	PASS	PASS	PASS	PASS	PASS	PASS	PASS	PASS	PASS

DRAIN LINE TRANSPORT CHARACTERIZATION TEST						
TRAVEL DISTANCE, m (ft)	NUMBER OF BALLS			TOTAL BALLS (THREE RUNS)	AVERAGE DISTANCE TRAVELLED, (ft)	WEIGHTED CARRY DISTANCE (TOTAL BALLS × AVERAGE DISTANCE TRAVELLED), (ft)
	1st Run	2nd Run	3rd Run			
In bowl or trap						
< 3 (< 10)						
3 – < 6 (10 – < 20)						
6 – < 9 (20 – < 30)						
9 – < 12 (30 – < 40)						
12 – < 15 (40 – < 50)						
15 – < 18 (50 – < 60)						
≥ 18 (≥ 60)						
Total						
Average carry distance per ball (total carry distance/300)						

Overall impression:

	ASME 2018 SPECIFICATION	RESULT
TRAP SEAL RESTORATION	MINIMUM 51 MM	55 MM
GRANULE & BALL TEST	5%/5% WHITE & BLACK GRANULES	0.0/0.0
WASTE EXTRACTION TEST	100% CLEARANCE	Clears

NEO | Floor mount S-Trap 220mm One piece WC Suite
#OPW7002W

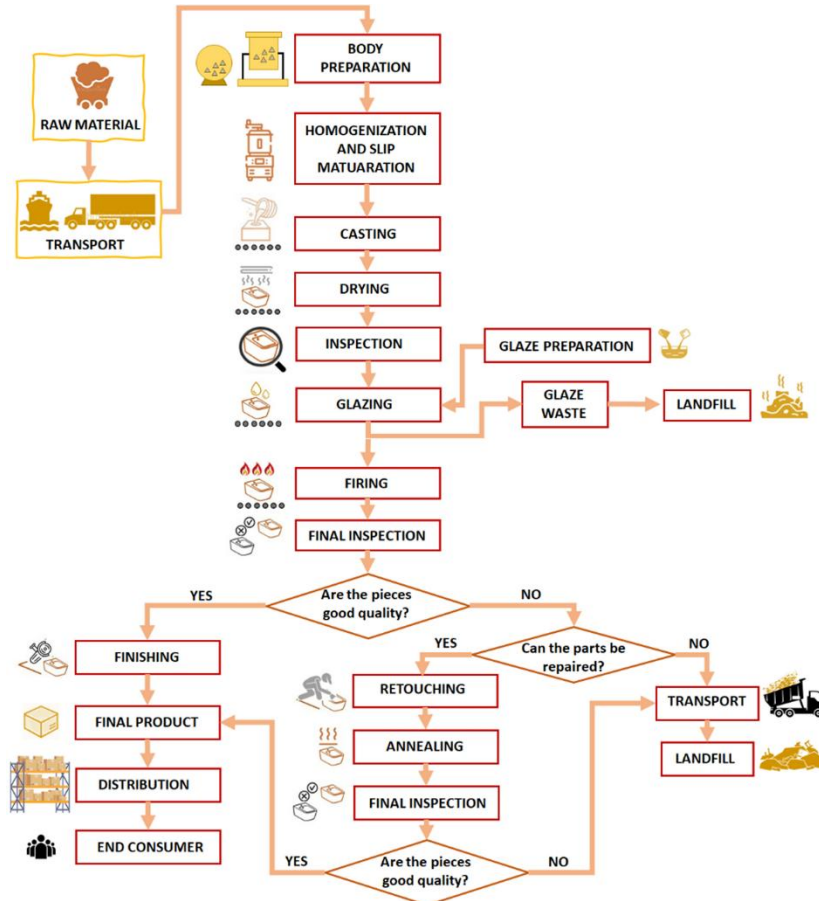
TECHNICAL SPECIFICATIONS [ISI 3005:2018]

PARTICULARS	I.S.I R3005:2018	OUR VALUE
Water Absorption	< 0.5%	< 0.25%
Modulus of Rupture	> 600 Kg/cm ²	750 Kg/cm ²
Crazing Resistance (System Pressure of 3.7kg/cm ² for hrs.)	No Crazing Upto Two Cycles	No Crazing Upto Two Cycles
Minimum Fired Thickness	Should Be 6.0 mm at Any Area	> 7mm at any area
Warpage	Appliance Should Not Exceed Specified Limit	Well within in Permissible Range
Thickness of Glaze at Any Place	Not Specified	400 Microns(0.4mm)
Surface Quality	No Wavy Finish on Visible Surface	No Wavy Appearance
Discolouration	None of Visible Surface	None
Resistance To Chemicals	Should be resistance to all house hold chemicals	Passes
Resistance To Stains & Burns	No Stain Should Remain on Testing	Passes

NEO | Floor mount S-Trap 220mm One piece WC Suite
#OPW7002W

MANUFACTURING PROCESS DESCRIPTION

The body of vitreous ceramic sanitary ware is manufactured by casting slip - a mixture of water, clay, feldspar and silica - into a reusable mold. The cast body is partially dried, sprayed with an aqueous glaze mixture, and fired in a kiln to vitrify the product. An inspection process follows that ensures a singular high level of product quality. Finally, the ware is fitted with non-vitreous components, packaged and shipped.



CARE AND CLEANING GUIDELINES

- Vitreous China sanitary ware products are fragile in nature and need to be handled with care (to avoid personal injury) at all times during its storage, handling, installation and use thereafter.
- The product is heavy and it is recommended that two persons hold it while it is being fixed.
- Carefully inspect the new product for damage before installation.
- Risk of product damage. Over tightening may cause breakage or chipping of vitreous China.
- Risk of external leakage. Do not lift or rock the bowl after placement.
- Always test your cleaning solution on an inconspicuous area on the product before applying it to the entire surface.
- Do not allow cleaners to sit or soak on the product.
- Use a soft, dampened sponge or cloth to clean. Never use abrasive material like a bristle brush or scouring pad.
- Wipe surfaces clean and rinse completely with water immediately after applying cleaners.
- Clean Chrome, stainless steel surfaces once a week. Do not use cleaners containing chloride on chrome, stainless steel. If used, rinse the surface immediately to prevent corrosion.
- Wherever chrome plating is used on the products, use only warm water to clean and then dry with a soft cloth.

FAQ's

- | | | |
|---|--|---|
| Q1 – What is the flush volume?
A – 6/4L, Eco flush 4/2.6L. | Q4 – Does it come with all installation accessories?
A – Yes, generally included. | Q7 – What's the maximum test load of the seat?
A – 50kg. |
| Q2 – Is this pan rimless or box rim?
A – Box rim. | Q5 – Is it heavier than a two-piece toilet?
A – Yes. | |
| Q3 – What finish is the ceramic glaze?
A – White. | Q6 – Is it durable for long-term use?
A – Yes. | |

DISCLAIMER: Our every effort has been made to ensure factual accuracy, the information presented subject to changes due to requirements in different sites, markets and/ or countries. All dimensions are in mm (Tolerance ± 5 MM). Jaquar reserves the right to make the necessary amendments at any time without prior notice.

For Installation Refer Actual Product

NEOLEX SANITARYWARE

Behind Scotlane sanitarywares, unchi mandal, Halwad Road, Gujarat-India-363641. Technical Support – Tel: +91 90331 38101 Email: info@neolexsanitaryware.com

All information on the data sheet is correct at the time of publication. All measurements are approximate and subject to standard tolerances.