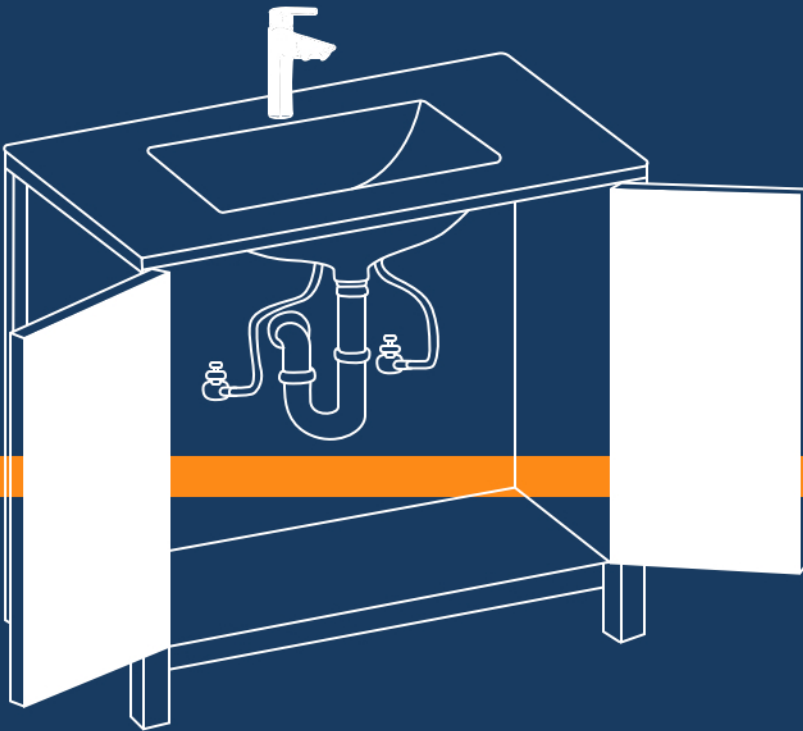


Installation Guide

VANITY TOP WITH SINK



Tools and Materials



Safety
Glasses



Tape
Measure



Construction
Adhesive



Pencil



Drill



Sealant

Plus:

(1) Adjustable Wrench (2) Gloves (3) Gradienter
(4) Acetone/Denatured Alcohol

Parts List:

Eridanus Vanity Top
w/ Sink

Prior to Installation



Read the following instructions carefully before you begin this installation:

- Due to the handmade construction, dimensions of the actual product might vary by up to 1/4 inch from the nominal specifications. Please refer to the actual product received prior to installation.
- Observe all local plumbing and building codes.
- Make sure the floor is level to avoid any tilting of the vanity.
- Shut off the hot and cold water supplies.
- Make sure the plumbing under the sink is in good condition and that there are no cracks or other problems that could cause issues during installation.
- Unpack the new sink and inspect it for damage. Afterward, return the sink to its protective carton until the installation begins.

- When using tools like wrenches or screwdrivers, be sure to use them properly to avoid self-injury and damage to the sink or other parts.
- Two people are recommended to move and install the sink.

Installation

• STEP I. Remove Old Sink


- a) Shut off water supplies. Disconnect the faucet and drain. Remove the old top and sink.
- b) Clear the sealant around the vanity base. Clean the base if necessary.

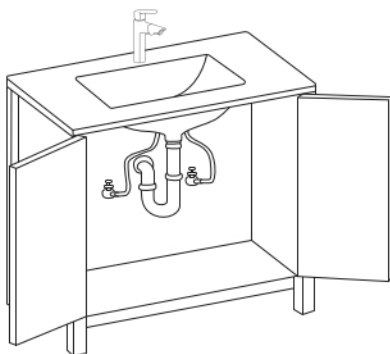
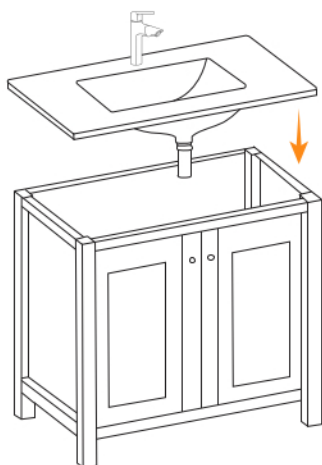
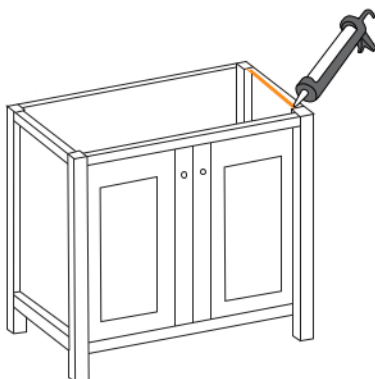
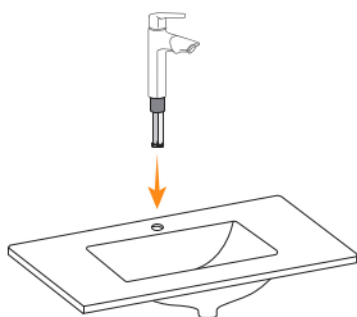
• STEP II. Confirm Specs and Levelness

- a) Measure the vanity base and make sure the top fits properly.
- b) Make sure both vanity base and top are clean, dry and leveled.

• STEP III. Position Top onto Base

- a) Assemble faucet and drain onto vanity top according to manufacturer's instructions.
- b) Apply sealant to the edges of the base.
- c) Carefully place the vanity top so it rests properly on the base. Press down firmly and remove excess sealant.
- d) Connect faucet and drain with existing plumbing.

 **CAUTION** Risk of personal injury or product damage. Product can break, chip or cause accidental injury if handled improperly.



• STEP IV. Check for Leaks

- a) Allow some time for adhesive to cure.
- b) Turn on water supply and check for leaks.

A vitreous china bathroom sink is a popular and durable choice for many homeowners. Eridanus vitreous china bathroom sinks are meticulously handcrafted with fine materials and have undergone strict quality inspections. With proper maintenance and care, Eridanus sinks will keep in new condition and function well for an extended period of time.

Do's



- ✓ **Cleaning the sink regularly:** Use a mild detergent or cleaning solution and a soft cloth or sponge to wipe down the sink. Avoid using abrasive cleaners or scrubbers as they can scratch the surface of the sink.
- ✓ **Remove stains promptly:** If you notice any stains on the sink, it's important to remove them promptly. Use a cleaning solution specifically designed to remove the type of stain you're dealing with. For example, use a rust remover for rust stains and a hard water stain remover for hard water stains.
- ✓ **Keep the sink dry:** After using the sink, make sure to wipe it dry with a clean towel or cloth. Standing water can cause water spots and mineral buildup, which can be difficult to remove.
- ✓ **Use a drain strainer:** Use a drain strainer to prevent hair, soap, and other debris from clogging the drain. A clogged drain can lead to water damage and other problems.

Don'ts



- ✗ **Avoid using harsh chemicals:** Harsh chemicals such as bleach, ammonia, or acid-based cleaners can damage the surface of the sink. Avoid using these chemicals and opt for a mild cleaning solution instead.
- ✗ **Avoid placing heavy objects on the sink:** Vitreous china is a durable material, but it can still crack or chip if heavy objects are placed on it. Avoid placing heavy objects on the sink and use a separate surface for storing items such as hair dryers or curling irons.
- ✗ **Avoid hitting it with hard objects or dropping heavy items on it.**
- ✗ **Avoid direct contact with sharp and metallic objects.**



Soft
Cloth

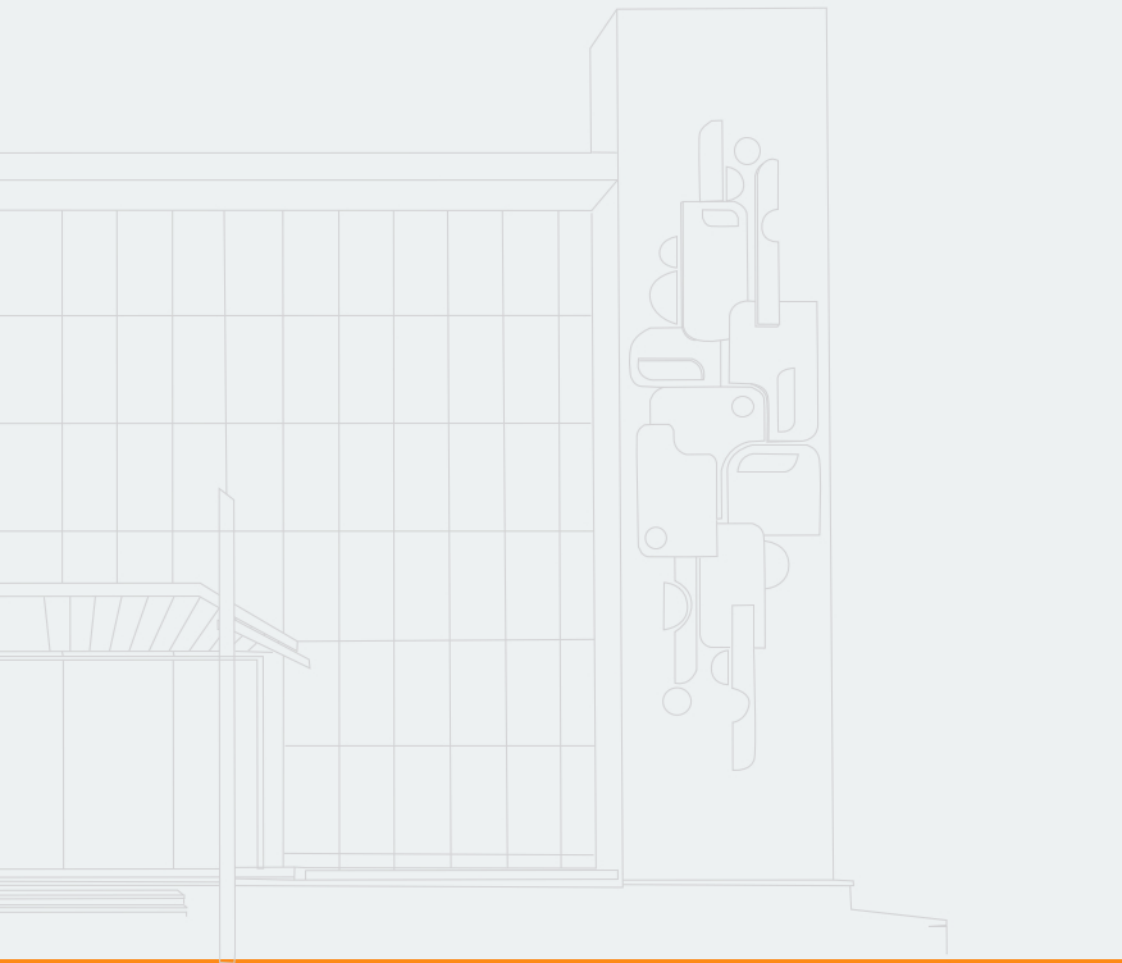


Mild
Detergent



Plastic
Scraper

By following these tips, you can keep your vitreous china bathroom sink in great condition for many years to come. Regular maintenance and care will help to prevent damage and keep the sink looking its best.



▶ Neolex Sanitaryware

Halvad Road, Unchi Mandal, Morbi – 2,
Gujarat – 363642, India.

E-mail : export@neolexsanitaryware.com

website : www.neolexsanitaryware.com