

Installation Guide

ONE-PIECE TOILET



Prior to Unpacking



- Overall package weighs over 50 Kgs! Two people are required to carefully unpack the product to avoid personal injuries or accidental damage to the item.
- Each item is carefully packed in customized foam. However, violent handling and shipping might crack the item. Observe potentiality damage while unpacking.
- The seat cover might not be hinged with the toilet base. DO NOT lift the toilet by grabbing the separate seat.



TEAM LIFT



FRAGILE

Prior to Installation

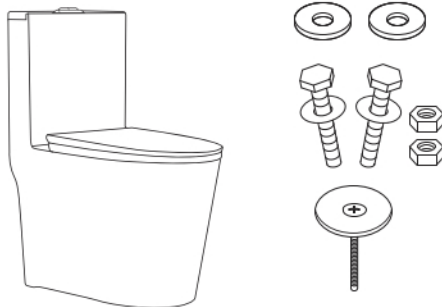


- Inspect the toilet to ensure no damages have occurred during transit.
- Observe all plumbing and building codes in accordance with your state and local requirements.
- All dimensions are nominal. Actual size of item received might vary by up to 1/8 inch. Make sure to measure your toilet before installation.
- Confirm that the item received will fit in the intended location and that plumbing fixtures are located where legally required before installation begins.
- The step-by-step guide in the installation instructions is for general reference only. Should there be any discrepancies, Eridanus cannot be held liable. It is recommended that all Eridanus products be installed by a licensed professional.
- Read installation and maintenance instructions thoroughly before installing. Be sure to use proper tools and always wear proper personal safety equipment.
- Two people are required to handle and install the toilet to avoid personal injuries or accidental damage to the item.
- Diagrams are for general display and do not represent a specific model.

Checklist

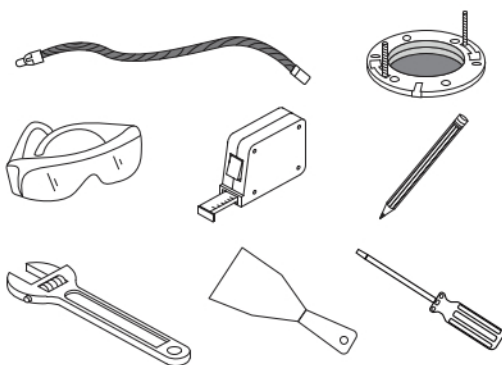
• What's in the Box

- a. One-Piece Toilet
- b. Fill Valve Kit (pre-assembled)
- c. Toilet Seat
- d. Tank Lid
- e. Wax Ring Gasket
- f. Mounting Bolts
- g. Cover Caps



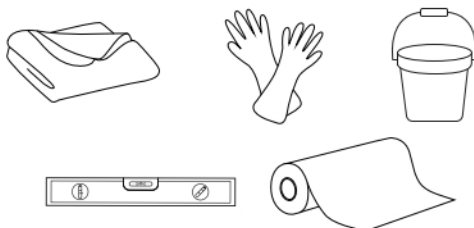
• Extra Parts/Tools Required

- i. Supply Line
- ii. Closet Flange & Bolts
- iii. Safety Glass
- iv. Tape Measure
- v. Adjustable Wrench
- vi. Screwdriver
- vii. Putty Scraper
- viii. Pencil/Marker



• Extra Tools Optional

- ix. Soft Cloth / Tarp
- x. Paper Towels
- xi. Disposable Gloves
- xii. Bucket
- xiii. Level



NOTE Other tools might be required during installation.

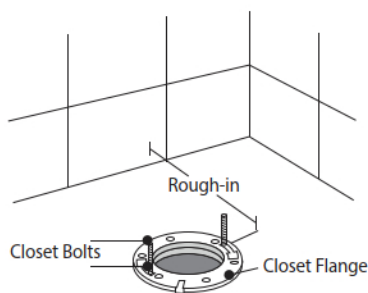
Installation

• Remove Old Toilet

- To replace the original toilet, shut off the water supply valve and flush tank completely. Disconnect and remove the supply line.
- Clear the sealant around the toilet base, unscrew the bolts, and remove the toilet.
- Remove closet bolts from the toilet flange and clean wax and putty using putty knife. Clean the floor.

• Confirm Rough-in & Levelness

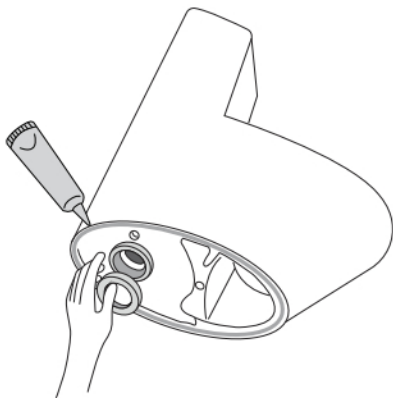
- Measure the distance from the wall to the centerline of the flange. While most bathrooms have a 12-inch (305mm) rough-in, 10-inch and 14-inch are two common rough-in sizes, too. Make sure the purchased model matches the rough-in measurement in your bathroom.
- Make sure the area for toilet is clean, dry, and level.
- Inspect existing closet flange. Replace if necessary.
- Temporarily plug the flange with a towel or flange plug.



REMINDER When replacing the flange, always remember to lock the nuts into position to prevent the toilet from shifting over time and damaging the wax seal.

• Apply Wax Gasket and Sealant

- Invert the toilet on the floor.



b) Apply the wax ring gasket evenly around the rear of the trapway.

c) Apply a thin bead of sealant around the toilet base.

⚠️ REMINDER Consider placing a tarp over the floor for surface protection.

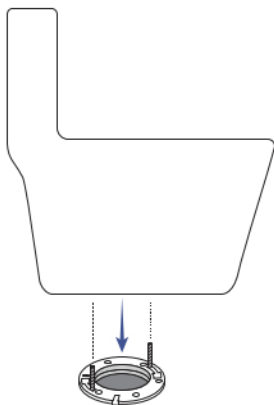
• Position Toilet onto Flange

a) Unplug the floor opening and position the toilet on the flange so the closet bolts project through the pre-drilled holes around the rear of the toilet trapway.

b) Position the toilet squarely to the wall, and press down fully on the wax ring and flange to create a watertight seal. Alternately tighten nuts until the toilet is firmly seated on the floor.

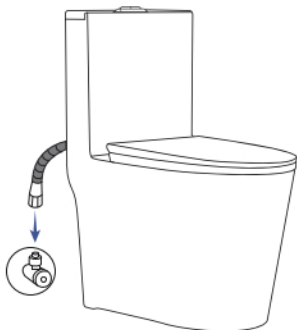
c) Smooth off a bead of sealant around the base. Remove any excess sealant.

d) Install the washers and nuts onto the bolts. Do not over-tighten as it might crack the ceramics.

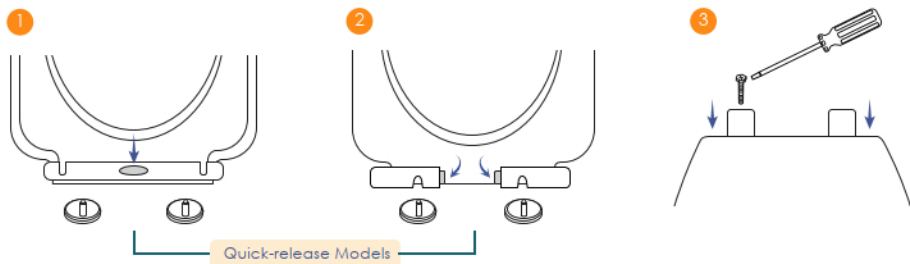


• Check for Leaks

- Connect the supply line to the fill valve at the back of the toilet.
- Flush test. Make sure there is no leak from the waterline or the flange.



• Toilet Seats



For quick-release models:

To quickly remove the seat, press the button and gently pull the seat from the attached hinges.

To quickly install the seat, press the button, align the pre-drilled holes on the seat with the hinges, and adjust the seat to align with the bowl.

NOTE Disassembling a quick-release seat might require manual operation behind the toilet. It's recommended to install your desired bidet or other types of seat prior to floor mounting the toilet.

Eridanus toilets are meticulously constructed with solid vitreous china and have undergone strict quality inspections. With proper care and cleaning measures, Eridanus toilets will keep in new condition and function well for an extended period of time.

General Care

- It's recommended to clean Eridanus toilets on a regular basis to avoid grime and mineral build-ups or deposits.
- Shut off water supply and clear up tank and fittings once in a while to maintain best flushing performance.
- For leakage or flushing problems, it's always recommended to consult with a professional to address and solve specific issues.

Do's



- ✓ Rinse thoroughly and make sure there is no residue after every use and cleaning session.
- ✓ Freshen up the glaze using mild solutions on a regular basis.
- ✓ Clean the toilet and seat on a regular basis.
- ✓ Always use flushable wipes.



Mild
Detergent



Soft
Cloth

Don'ts



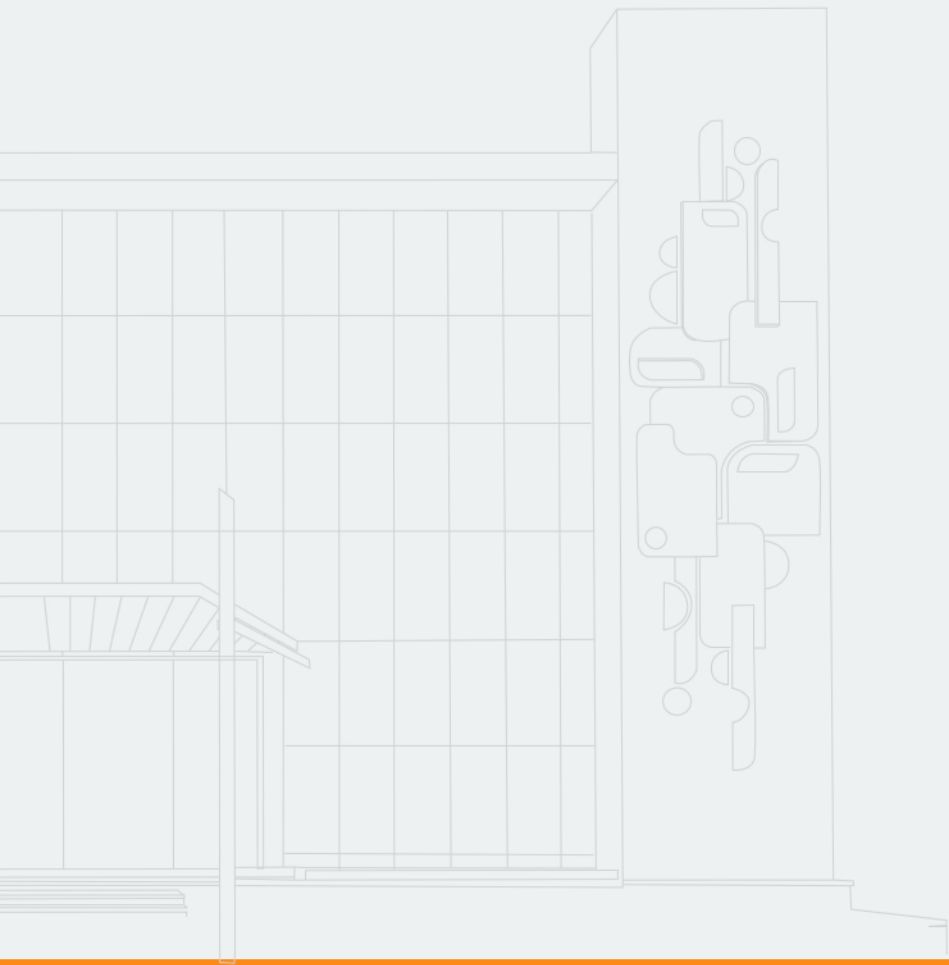
- ✗ Avoid using harsh cleaners or abrasive brushes.
- ✗ Avoid using bleach tablets in the tank.
- ✗ Avoid dropping heavy or sharp objects onto the bowl.
- ✗ Avoid flushing non-flushable items.
- ✗ Avoid waste accumulation in the bowl.



Abrasives
Brushes



Heavy
Object



▶ Neolex Sanitaryware

Halvad Road, Unchi Mandal, Morbi – 2,
Gujarat – 363642, India.

E-mail : info@neolexsanitaryware.com

website : www.neolexsanitaryware.com