

Technical Data Sheet | Sanitaryware

Issue No. **V1** 01 2025

NEAT_7010_TDS_V1.1



NEAT | Floor mount S-Trap 220mm One piece WC Suite #OPW7010W



Feel the Power of Neolex's 60 ft Drain line Flush

50% longer drain line carry

Experience powerful performance with Neolex's Siphonic Flushing System, engineered to push waste efficiently and prevent clogs. Its advanced design ensures maximum drain line carry with superior water efficiency and reliability in every flush.

ASME Standard **40 ft**

Our Result **60ft**

Specification: -

Floor Mount One-piece Dual Flush WC suit (#OPW7010W)

Model Name	Neat
Specification	Box Rim Washdown
Finish	Glossy
Outlet	Horizontal
Dimensions	730 (H) X 350 (W) X 630 (L) mm
Rough-in (Wall Distance)	220mm/ 9"
Weight	50.00 Kg
Lever/ Lever Position	Push Button/ Cistern lid
Colour	White
Material	Ceramic - Vitreous China

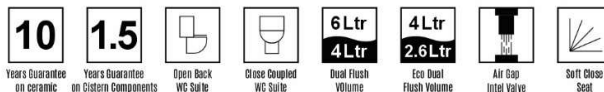
Technical/ Use Phase Specifications

Flush Volume (gal/ half flush)	1.05
User Frequency (flushes/day/person)	3
Min. Water Pressure	8 psi (Static)
Annual Cleaning Frequency (times)	365
Cleaner	50 ml of 10% HCl solution
Waste Hole Dimension	Ø100 +5/-2 mm
Waste Hole Horizontal distance	≤ 220 mm

Base Material Content of the Product

Material	Function	Quantity (% By Weight)
Clay	Slip and Glaze Ingredient	59 %
Feldspar	Slip and Glaze Ingredient	29%
Silica	Slip and Glaze Ingredient	7 %
Balance	Miscellaneous Hardware and Packaging	5 %

Key Features + Benefits



* All technical dimensions are in accordance to British standards, Bureau of Indian Standards

NEOLEX SANITARYWARE

Behind Scotlane Ceramics, unchi mandal, Halwad Road, Gujarat-India-363641.

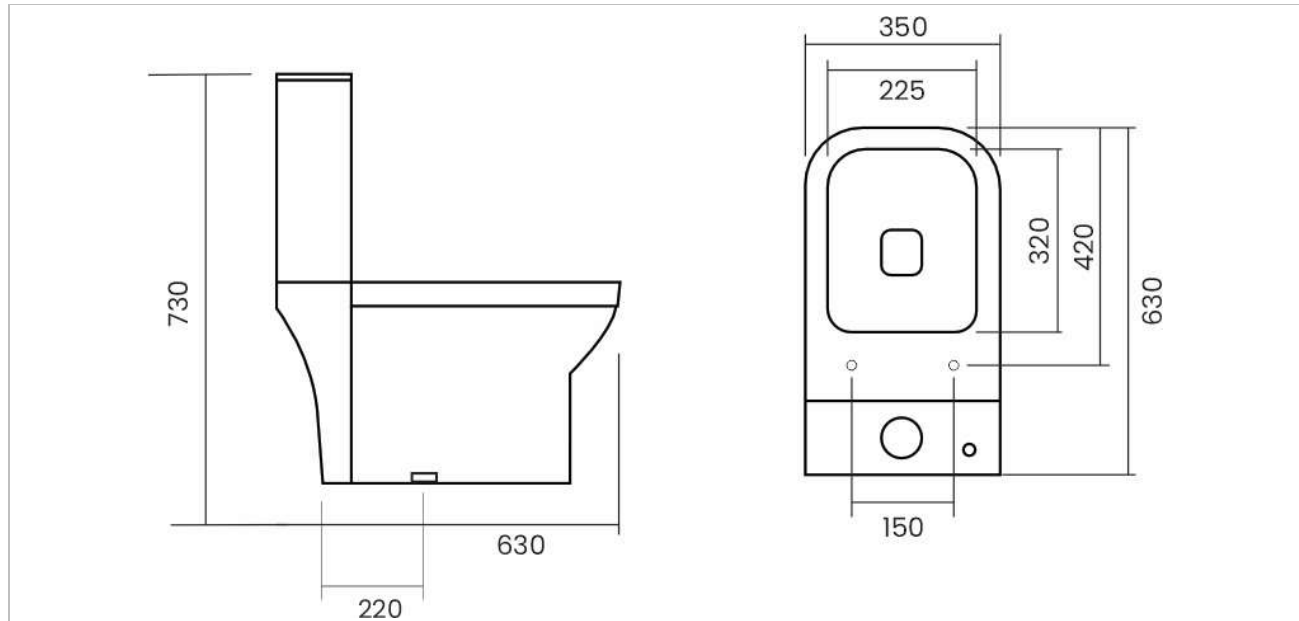
Technical Support – Tel: +91 90331 38101 Email: info@neolexsanitaryware.com

All information on the data sheet is correct at the time of publication. All measurements are approximate and subject to standard tolerances.

~ 1 ~

**NEAT | Floor mount S-Trap 220mm One piece WC Suite
#OPW7010W**

TECHNICAL DRAWING | Pan (INSDE001) + Cistern (INSDE002)



TECHNICAL SPECIFICATIONS [ISI 3005:2018]: -

PARTICULARS	I.S.I 3005:2018	OUR VALUE
Water Absorption	< 0.5%	< 0.25%
Modulus of Rupture	> 600 Kg/cm ²	750 Kg/cm ²
Crazing Resistance (System Pressure of 3.7kg/cm² for hrs.)	No Crazing Up to Two Cycles	No Crazing Up to Two Cycles
Thickness of Glaze at Any Place	Not Specified	400 Microns(0.4mm)
Discolouration	None of Visible Surface	None
Resistance To Chemicals	Should be resistance to all house hold chemicals	Passes
Resistance To Stains & Burns	No Stain Should Remain on Testing	Passes

NEOLEX SANITARYWARE

Behind Scotlane Ceramics, unchi mandal, Halwad Road, Gujarat-India-363641.

Technical Support – Tel: +91 90331 38101 **Email:** info@neolexsanitaryware.com

Technical Data Sheet | Sanitaryware

Issue No. **V1** 01 2025

NEAT_7010_TDS_V1.1



NEAT | Floor mount S-Trap 220mm One piece WC Suite #OPW7010W

PERFORMANCE TEST DATA [ASME 2018 SPECIFICATION]: -

MODEL CODE	TRAP SEAL RESTORATION			WASTE EXTRACTION TEST		
	TRAIL No.	BEFORE	AFTER	TRAIL No.	MEDIA	PAPER
7010	T1	55	54	T1	0	0
	T2	55	52	T2	0	0
	T3	55	53	T3	0	0
	AVG	55	53	AVG	0	0
STATUS	PASS			PASS		

MIX MEDIA TEST			GRANULES & BALL TEST			
TRAIL No.	SPONGE	PAPER	TRAIL No.	NUMBER OF GRANULES IN BOWL AFTER FLUSING	NUMBER OF BALLS IN BOWL AFTER FLUSHING	TRAP SEAL RESTORED? (YES/NO)
T1	0	0	T1	9	1	YES
T2	0	0	T2	4	0	YES
T3	0	0	T3	2	0	YES
AVG	0	0	AVG	5	0	YES
PASS			PASS		PASS	

NEOLEX SANITARYWARE

Behind Scotlane Ceramics, unchi mandal, Halwad Road, Gujarat-India-363641.
 Technical Support – Tel: +91 90331 38101 Email: info@neolexsanitaryware.com

All information on the data sheet is correct at the time of publication. All measurements are approximate and subject to standard tolerances.

Technical Data Sheet | Sanitaryware

Issue No. **V1** 01 2025

NEAT_7010_TDS_V1.1



NEAT | Floor mount S-Trap 220mm One piece WC Suite #OPW7010W

DRAIN LINE TRANSPORT CHARACTERIZATION TEST						
TRAVEL DISTANCE, M(FT)	NUMBER OF BALLS			TOTAL BALLS (THREE RUNS)	AVERAGE DISTANCE TRAVELLED, (ft)	WEIGHTED CARRY DISTANCE (TOTAL BALLS × AVERAGE DISTANCE TRAVELLED), (ft)
	1st Run	2nd Run	3rd Run			
In bowl or trap	0	0	0	0	0	0
< 3 (< 10)	0	0	0	0	5	0
3 - < 6 (10 - < 20)	0	0	0	0	15	0
6 - < 9 (20 - < 30)	0	0	0	0	25	0
9 - < 12 (30 - <40)	0	0	0	0	35	0
12 - < 15 (40 - < 50)	0	0	0	0	45	0
15 - < 18 (50 - < 60)	0	0	0	0	55	0
≥ 18 (≥ 60)	100	100	100	300	60	18000
Total	100	100	100	300		18000

Average carry distance per ball (total carry distance/300) = 60

OVERALL IMPRESSION: -

ONE PIECE TOILET - PERFORMANCE TESTS								
SI No.	LAB CODE	CUSTOMER DETAILS		ASME 2018 SPECIFICATION				
				TRAP SEAL RESTORATION	GRANULE & BALL TEST	WASTE EXTRACT ION TEST	MIX MEDIA TEST	DRAIN LINE TRANSPORT TEST
		MODEL CODE	MODEL DESCRIPTION	MINIMUM 51 MM	5%/5% WHITE & BLACK GRANULES	100% CLEARANCE	≥22 (79%) MEDIA OUT IN 1ST FLUSH	MIN. AVG. TRANSPORT: 40 FT (12 M)
1	#OPW7010W	7010	ONE PIECE	53	5	CLEAR	CLEAR	60

NEOLEX SANITARYWARE

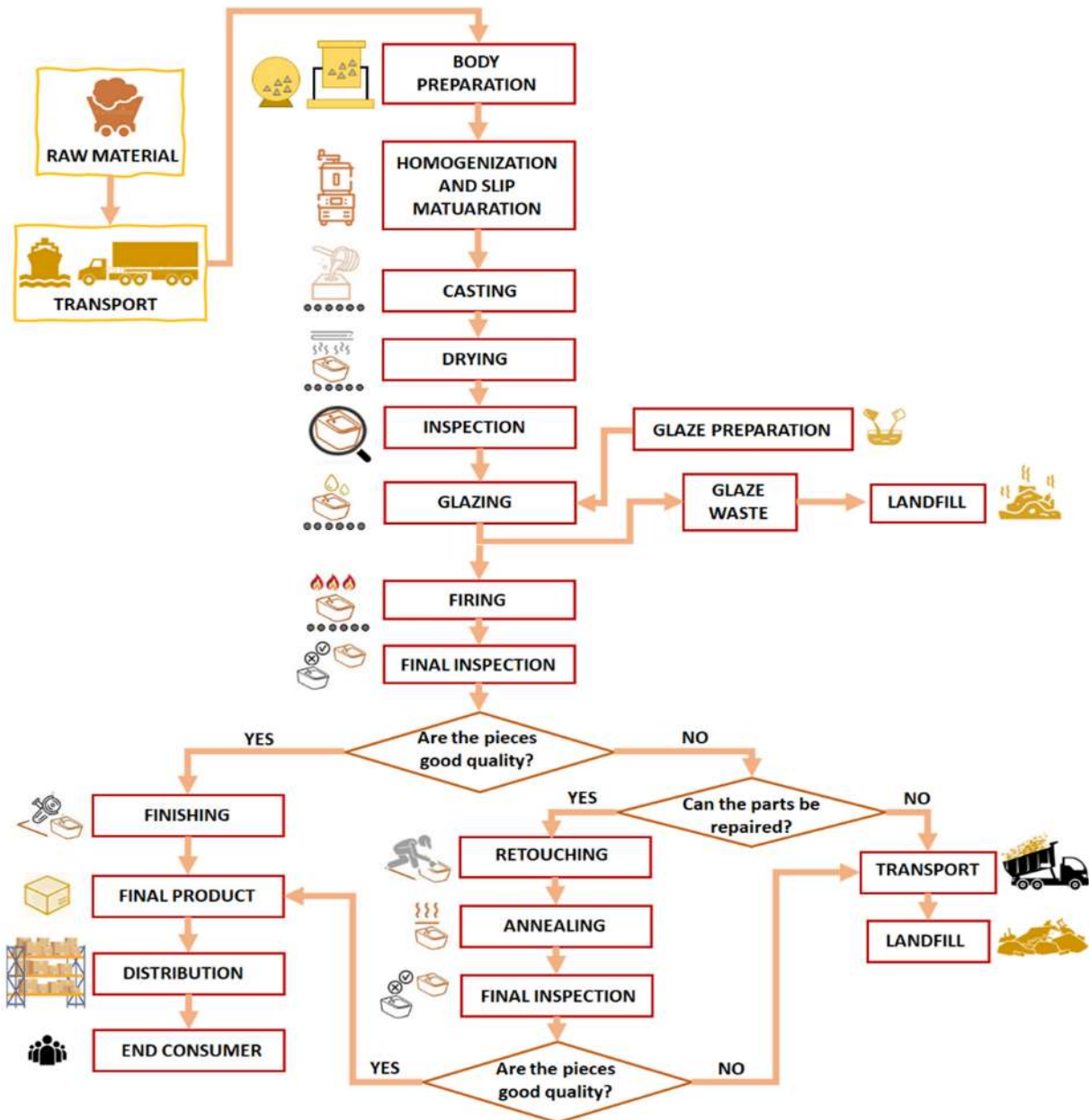
Behind Scotlane Ceramics, unchi mandal, Halwad Road, Gujarat-India-363641.
Technical Support – Tel: +91 90331 38101 **Email:** info@neolexsanitaryware.com

All information on the data sheet is correct at the time of publication. All measurements are approximate and subject to standard tolerances.

NEAT | Floor mount S-Trap 220mm One piece WC Suite #OPW7010W

MANUFACTURING PROCESS DESCRIPTION: -

The body of vitreous ceramic sanitary ware is manufactured by casting slip - a mixture of water, clay, feldspar and silica - into a reusable Mold. The cast body is partially dried, sprayed with an aqueous glaze mixture, and fired in a kiln to vitrify the product. An inspection process follows that ensures a singular high level of product quality. Finally, the ware is fitted with non-vitreous components, packaged and shipped.



NEAT | Floor mount S-Trap 220mm One piece WC Suite #OPW7010W

CARE AND CLEANING GUIDELINES: -

- Vitreous China sanitary ware products are fragile in nature and need to be handled with care (to avoid personal injury) at all times during its storage, handling, installation and use thereafter.
- Carefully inspect the new product for damage before installation.
- Risk of product damage. Over tightening may cause breakage or chipping of vitreous China.
- Risk of external leakage. Do not lift or rock the bowl after placement.
- Always test your cleaning solution on an inconspicuous area on the product before applying it to the entire surface.
- Do not allow cleaners to sit or soak on the product.
- Use a soft, dampened sponge or cloth to clean. Never use abrasive material like a bristle brush or scouring pad.
- Wipe surfaces clean and rinse completely with water immediately after applying cleaners.
- Clean Chrome, stainless steel surfaces once a week. Do not use cleaners containing chloride on chrome, stainless steel. If used, rinse the surface immediately to prevent corrosion.
- Wherever chrome plating is used on the products, use only warm water to clean and then dry with a soft cloth.

FAQ's: -

Q1 – What is the flush volume?

A – 6/4L. Eco flush 4/2.6L.

Q2 – What finish is the ceramic glaze?

A – White.

Q3 – Does it come with all installation accessories?

A – Yes, generally included.

Q4 – Is it heavier than a two-piece toilet?

A – Yes.

Q5 – Is it durable for long-term use?

A – Yes.

DISCLAIMER: -

Our every effort has been made to ensure factual accuracy, the information presented subject to changes due to requirements in different sites, markets and/ or countries. All dimensions are in mm (Tolerance \pm 5 MM). Jaquar reserves the right to make the necessary amendments at any time without prior notice.

For Installation Refer Actual Product